

# STANLEY

®

## ICU/CCU 7000 Door Series



- 2, 3, AND 4 PANEL PACKAGES
- TELESCOPIC PACKAGES
- TRACKLESS VERSIONS
- POSITIVE LATCHING
- FULL BREAKOUT VERSIONS

DESIGNED TO MEET THE SPECIFIC NEEDS OF HOSPITAL INTENSIVE AND CARDIAC CARE UNITS (ICU/CCU).

*Broad glass panels provide unobstructed view to patients.*

*Patients remain undisturbed by nearby activity, noise or other intrusions.*

*The 7000 Series combines the features of both swinging and sliding doors for easy, flexible access to the patient area.*

*The 7200 Series allows for a trackless threshold feature with the ability to breakout the SX panel at any point.*

*The 7500 Telescopic Series creates a greater clear door opening and is also available in a trackless version.*

Stanley Automatic Door Systems - the safest, most cost effective solutions available today.

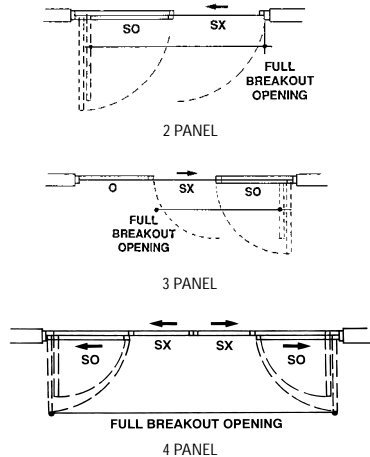
# STANLEY

MAKE SOMETHING GREAT™

# STANLEY®

## ICU/CCU 7000 Door Series

### 7000 & 7000 TL (TRACKLESS) ICU SERIES

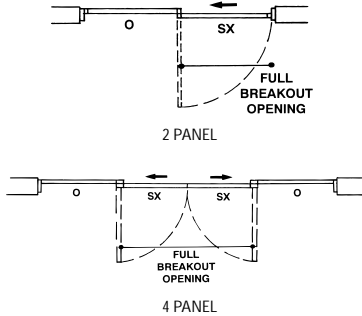


Positive latching available on most models.

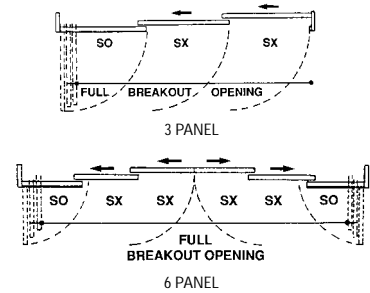
The trackless threshold feature for the 7200 Series requires O or P panel.

A TL package, unlike the track versions, require the doors to be fully opened and a flush bolt disengaged prior to breakout.

### 7200 ICU SERIES TRACKLESS



### 7500 & 7500TL (TRACKLESS) ICU SERIES TELESCOPING



DOOR PACKAGES ARE CUSTOM MANUFACTURED TO FIT YOUR JOB REQUIREMENTS

**HEADER SIZE:** 4" (102mm) high x 4-1/2" (114mm)

**TYPICAL HEIGHT:** 7'-4" (2.2m), clear door opening of 6'-10 1/2" (2.1m)

**TYPICAL WIDTH:** 2 Panel: 7' (2.1m) to 9' (2.7m),

clear door opening width of 35-1/2" (901mm) to 47-1/2" (1206mm)

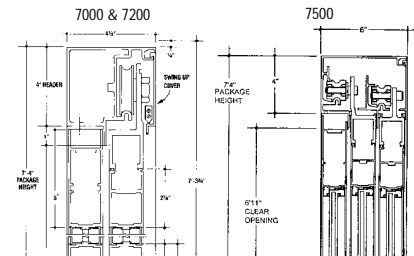
3 Panel: 10-1/2" (3.2m) to 13-1/2" (4.1m),

clear door opening width of 35-1/2" (901mm) to 47-1/2" (1206mm)

4 Panel: 10' (3m) to 14' (4.2m),

clear door opening width of 48" (1219mm) to 72" (1828mm)

### HEADER PROFILES



## FEATURES & BENEFITS

#### 7000 SERIES DOORS:

- Provide maximum patient-area visibility even when doors are closed.
- Allow flexible access to patient area through single-panel opening or by stacking all panels to one side.
- Guard patients from unwanted noise or other intrusions
- Features a track or trackless-threshold, consult with Stanley Representative.

#### 7200 SERIES DOORS:

- Advantages of 7000 Series without need for threshold.

#### 7500 ICU SERIES DOORS:

- Telescoping version.
- Largest clear opening width.

#### 7500 ICU FBO:

- Full Breakout Opening.



CUSTOMER CARE: 1-800-7-ACCESS (1-800-722-2377)



The Stanley Works  
Access Technologies Product Group  
Customer Care: 1-800-7-ACCESS (1-800-722-2377)  
<http://www.stanleyworks.com>